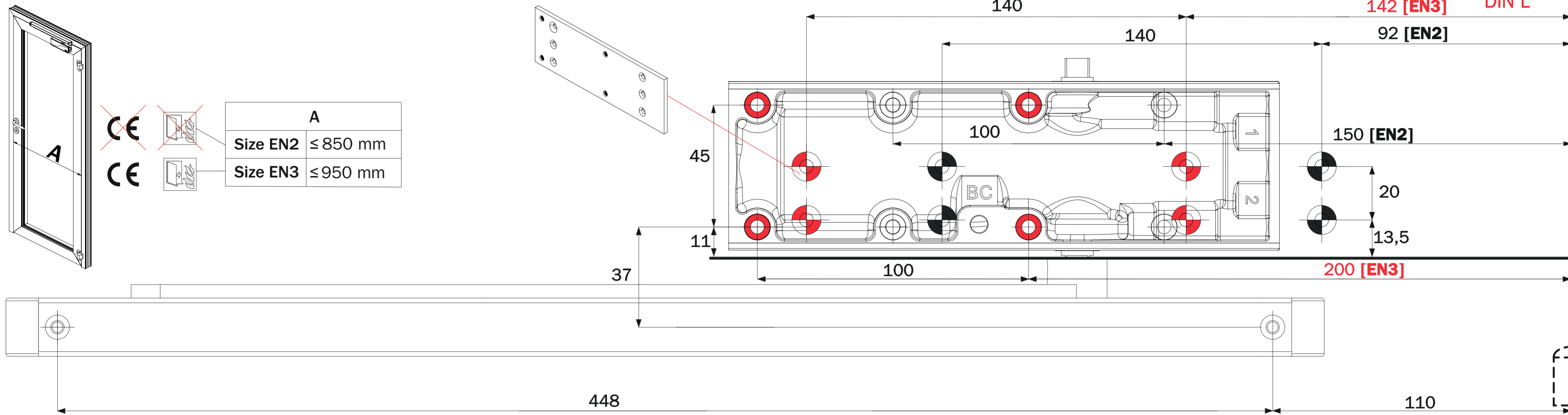
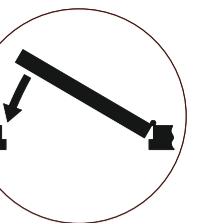
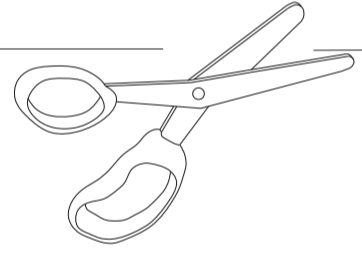
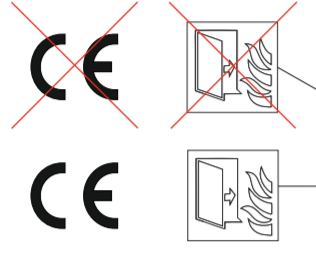


TOP JAMB INSTALLATION WITH MOUNTING PLATE DIM. EN2/EN3 DIN L - PUSH SIDE



A	
Size EN2	≤ 850 mm
Size EN3	≤ 950 mm



TOP JAMB INSTALLATION WITH MOUNTING PLATE DIM. EN2/EN3 DIN R - PUSH SIDE

